

## Air pumps

Air pumps which can pump both gas & liquid



The APN-W series are gas-liquid transfer pumps.

The use of a special diaphragm allows the pump to transfer both air and liquid.

The miniaturized & lightened body offers optimum sizing for various equipment such as analyzers, in which compactness is always a key requirement.

- **Design for transferring both gas and liquid ensures long life.**
- **Ideal for waste liquid collection thanks to the ability to handle entrained gas.**
- **Ultra-compact and lightweight.**
- **High corrosion resistance.**
- **Low noise and Oil-free design.**
- **Capable of self-priming under dry condition.**



APN-30-W, APN-60-W



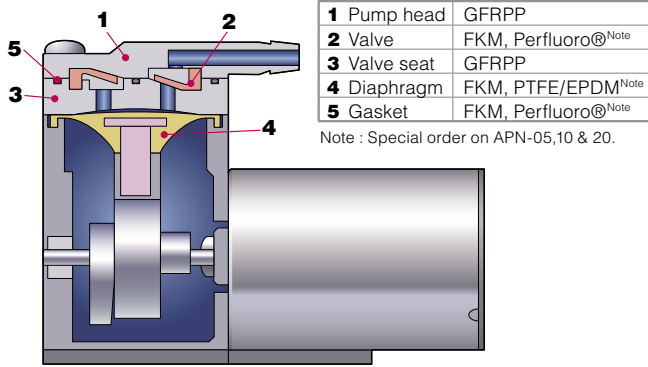
APN-20-W



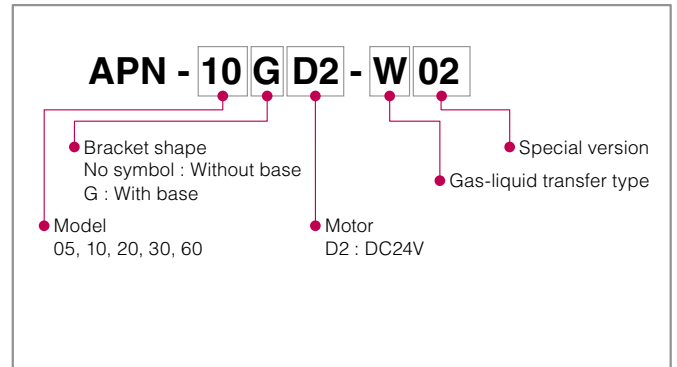
APN-05-W, APN-10-W



## Construction and materials



## Pump identification

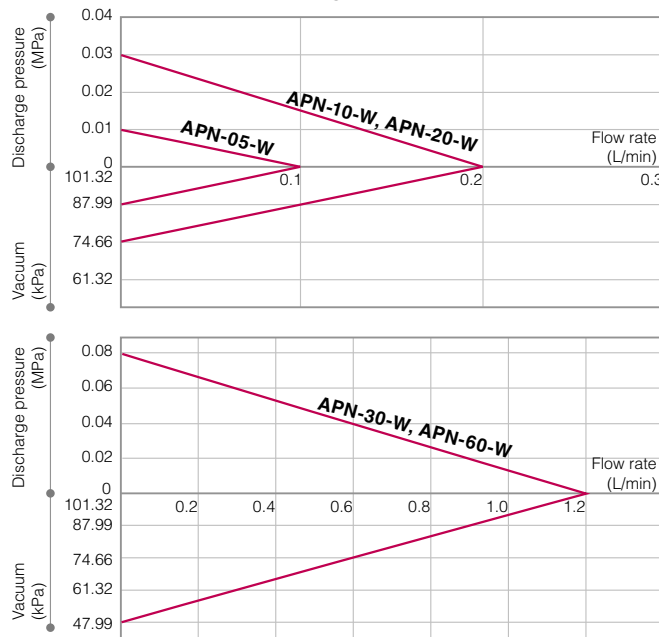


## Specifications

Model	Gas			Gas-liquid Max. capacity (L/min)	Connection size IN/OUT	Motor				Mass (kg)
	Max. flow (L/min)	Max. discharge pressure (MPa)	Max. vacuum (kPa)			Output (W)	Power consumption (W)	Rated current (A)	Rated voltage (V)	
APN-05-W	0.1	0.01	87.99	0.05	Hose 4.5mm dia.	2.5	4.8	0.2	DC24	0.11
APN-10-W	0.2	0.03	74.66	0.1						
APN-20-W				0.2	Hose 5mm dia.					
APN-30-W	1.2	0.08	47.99	0.3		5.8	11.5	0.48	DC24	0.21
APN-60-W				0.6						

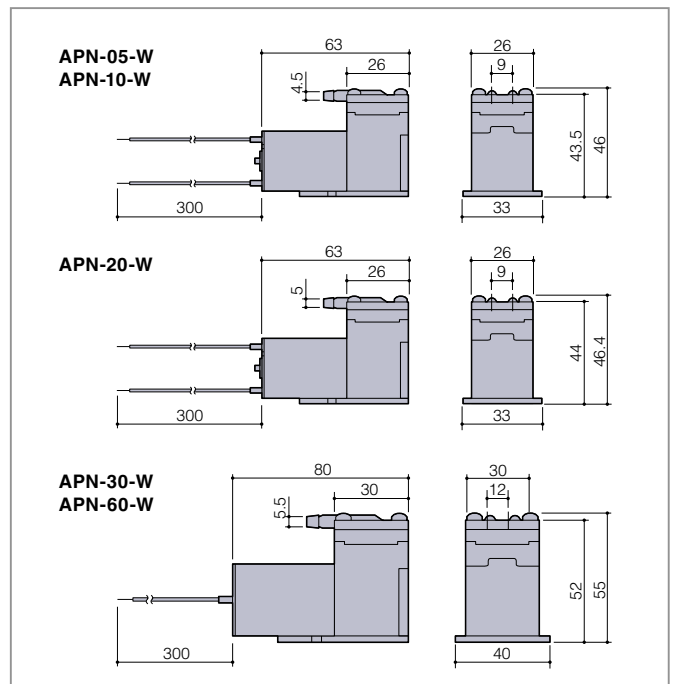
Note : Discharge side pressure should be less than specification.  
 • Handling gas temp. 5 - 40 °C • Handling liquid temp. 10 - 40 °C

## Performance curves (gas<sup>note</sup>)



Note : Above performance shows when handling gas.  
 When handling gas and liquid mixture, please contact us for pump performance.

## Dimensions (in mm)



[www.iwakipumps.jp](http://www.iwakipumps.jp)

IWAKI CO.,LTD. 6-6 Kanda-Sudacho 2-chome Chiyoda-ku Tokyo 101-8558 Japan TEL : (81)3 3254 2935 FAX : 3 3252 8892

### EUROPE / U.S.A.

European office : IWAKI Europe GmbH	TEL: (49)2154 9254 0	FAX: 2154 9254 48
Austria : IWAKI (Austria) GmbH	TEL: (41)26 674 93 00	FAX: 26 674 93 02
Belgium : IWAKI Belgium N.V.	TEL: (32)13 67 02 00	FAX: 13 67 20 30
Denmark : IWAKI Nordic A/S	TEL: (45)48 24 2345	FAX: 48 24 2346
Finland : IWAKI Suomi Oy	TEL: (358)9 2745810	FAX: 9 2742715
France : IWAKI France S.A.	TEL: (33)1 69 63 33 70	FAX: 1 64 49 92 73
Germany : IWAKI Europe GmbH	TEL: (49)2154 9254 50	FAX: 2154 9254 55
Holland : IWAKI Holland B.V.	TEL: (31)297 241121	FAX: 297 273902
Italy : IWAKI Italia S.R.L.	TEL: (39)02 990 3931	FAX: 02 990 42888
Norway : IWAKI Norge AS	TEL: (47)66 81 16 60	FAX: 66 81 16 61
Spain : IWAKI Iberica Pumps, S.A.	TEL: (34)943 630030	FAX: 943 628799
Sweden : IWAKI Sverige AB	TEL: (46)8 511 72900	FAX: 8 511 72922
Switzerland : IWAKI (Schweiz) AG	TEL: (41)26 674 93 00	FAX: 26 674 93 02
U.K. : IWAKI Pumps (UK) Ltd.	TEL: (44)1743 231363	FAX: 1743 366507
U.S.A. : IWAKI America Inc.	TEL: (1)508 429 1440	FAX: 508 429 1386

### ASIA / OCEANIA

Australia : IWAKI Pumps Australia Pty Ltd.	TEL: (61)2 9899 2411	FAX : 2 9899 2421
China		
Hong Kong : IWAKI Pumps Co., Ltd.	TEL: (852)2607 1168	FAX: 2607 1000
Shanghai : IWAKI Pumps (Shanghai) Co., Ltd.	TEL: (86)21 6272 7502	FAX: 21 6272 6929
Guangzhou : GFTZ IWAKI Engineering & Trading Co., Ltd.	TEL: (86)20 8435 0603	FAX: 20 8435 9181
Beijing : GFTZ Iwaki Engineering & Trading Co., Ltd. (Beijing office)	TEL: (86)10 6442 7713	FAX: 10 6442 7712
Korea : IWAKI Korea Co., Ltd.	TEL: (82)2 2630 4800	FAX: 2 2630 4801
Malaysia : IWAKI Sdn. Bhd.	TEL: (60)3 7803 8807	FAX: 3 7803 4800
Singapore : IWAKI Singapore Pte Ltd.	TEL: (65)6316 2028	FAX: 6316 3221
Indonesia : IWAKI Singapore (Indonesia Branch)	TEL: (62)21 6906606	FAX: 21 6906612
Taiwan : IWAKI Pumps Taiwan Co., Ltd.	TEL: (886)2 8227 6900	FAX: 2 8227 6818
Thailand : IWAKI (Thailand) Co., Ltd.	TEL: (66)2 322 2471	FAX: 2 322 2477
Vietnam : IWAKI Pumps Vietnam Co., Ltd.	TEL: (84)613 933456	FAX: 613 933399

( )Country codes

Caution for safety use: Before use of pump, read instruction manual carefully to use the product correctly.  
 Actual pumps may differ from the photos. Specifications and dimensions are subject to change without prior notice. For further details please contact us.