

## Residual Chlorine Concentration Controller CL-60WL



**Cost saving with no wasted water**

### Low cost and easy to use swimming pool residual chlorine controller

CL-60WL is a low cost and easy to use controller for continuously measuring residual chlorine in swimming pools and drinking water.

The 3-electrode polarograph sensor is able to measure many kinds of water such as swimming pool water and drinking water etc.

The electrode is automatically cleaned by ceramic beads and electrolytic cleaning (manual/automatic/interval) to avoid chemical residue buildup which could otherwise give false readings.

- No wasted water because of inline type flow cell
- Thanks to 3-electrode polarograph sensor, it is not influenced by impurities in test water or conductivity and gives superior linearity.
- Multi-voltage power source from AC90 to 240V.
- Electromagnet metering pumps can be directly controlled (proportional dosing) by the pulse control output.
- Flow cell is easily removed for maintenance.
- Pump control output can be manually interrupted during abnormal conditions to prevent excessive chlorine injection.
- Flow proportional control of the dosing pump is possible by proportional DC4-20mA input signals from a flow meter installed in the main water piping.
- Override function allows pump operation at maximum speed (360 spm with electromagnet metering pump) by contact input during super chlorination or pump maintenance.
- Alarm output can be set optionally (NO x 3)



## Specifications

Measured element	Residual chlorine (HOCl)	
Measuring principle	Polarographic	
Measuring method	Beads cleaning type micro-solid 3-electrodes	
Measuring range	0 - 2.00 mg/L	
Display	LCD with backlight (Residual chlorine concentration, spm output, set value)	
Reproducibility	±5% of full scale (when flow rate, pH, temp. and conductivity is constant.)	
Test water pH range	pH6.0 - 8.0	
Conductivity range	10 mS/m or more	
Test water temp. range	0 - 45 °C (No freezing)	
Temp. compensation	Automatic temp. compensation by Pt1000Ω	
Transfer output	DC0/4 - 20 mA (to be set optionally) Insulation type, Load resistance 500Ω or below	
Contact output	Pump control output	Potential free contact NO x 1
	Alarm output	AL1, AL2, AL3 (Kinds of alarm can be set optionally) NO x 3
Contact capacity	Pump control output	AC240V 0.1A
	Alarm output	AC250V 10A Resistance load
Electrolytic cleaning of electrode	Electrolytic cleaning sequence starts by any of following operation. Automatic cleaning at the time of power turned on. Manual cleaning by key operation. Automatic cleaning by setting interval time.	
Power source voltage	AC90V - AC240V 50/60Hz	
Power consumption	Approx. 25VA	
Ambient temperature range	0 - 40 °C	
Installation	Wall mount or 50A pole stand	

## Specifications of flow cell (RF-10)

Construction	Inline type flow cell with beads cleaning mechanism
Test water flow rate	1.0 L/min. ±10%
Pressure resistance	0.5 MPa (at test water inlet)
Test water temp. range	0 - 45 °C (No freezing)
Wet-end material	PVC, Acryl, Alumina ceramic, Silicone rubber, FKM rubber
Test water inlet	R1/2
Test water outlet	R1/2

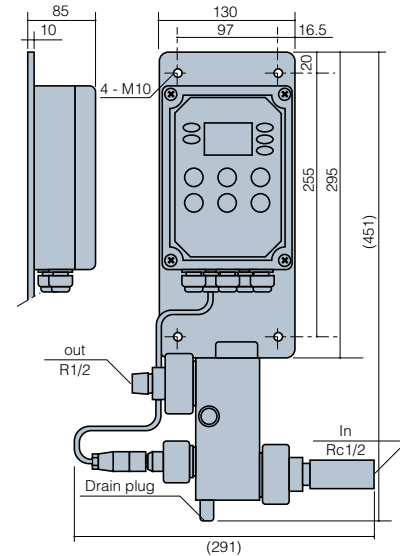
## Specifications of sensor (RS-10L-A[Au])

Pressure resistance	0.5 MPa	
Test water temp. range	0 - 45 °C (No freezing)	
Temp. measuring method	Temp. compensation by built-in Pt1000.	
Installation method	To be mounted on RF-10 flow cell.	
Electrode cleaning method	Mechanical polishing by beads and electrolytic cleaning by controller.	
Cable	Length	40 cm (Type:VC5H-0040C)
	Connection	Connector

## Specifications of constant flow valve (RC-1000-15A)

Flow rate set value	1.0 L/min
Flow rate accuracy	±10%
Max. usable pressure	0.7 MPa
Usable pressure range	0.05 - 0.5 MPa
Wet-end material	SUS304
Connection bore	Rc1/2

## Dimensions in mm



## Option

### Flow switch FC-SM40-100V

The switch to detect low limit flow rate. The switch is ON when flow rate becomes lower than set value.

Set range : 0.2 - 2.4 L/min  
Bore : Rc1/2  
Output : Contact output  
Resistance load 110V AC/DC 0.25A 20W  
at cosφ=1 max  
Alarm : Alarm is activated when flow rate becomes lower than set value



### Filter housing 10-KFKC-1/2

Transparent casing for filter cartridge.  
(Note) Ask us for nontransparent type.



### Filter cartridge SFP-1100 (100μm)

To remove dust or foreign matters in test water.



### Mounting hardware 10-KFKC-FIT

To mount filter housing.



(Note) Relay terminal box, dedicated cable, electrolytic cleaner (Polaro-checker) are available.  
Ask us for details.

www.iwakipumps.jp

IWAKI CO.,LTD. 6-6 Kanda-Sudacho 2-chome Chiyoda-ku Tokyo 101-8558 Japan TEL : (81)3 3254 2935 FAX : 3 3252 8892

### EUROPE / U.S.A.

European office	: IWAKI Europe GmbH	TEL: (49)2154 9254 0	FAX: 2154 9254 48
Austria	: IWAKI (Austria) GmbH	TEL: (41)26 674 93 00	FAX: 26 674 93 02
Belgium	: IWAKI Belgium N.V.	TEL: (32)13 67 02 00	FAX: 13 67 20 30
Denmark	: IWAKI Nordic A/S	TEL: (45)48 24 2345	FAX: 48 24 2346
Finland	: IWAKI Suomi Oy	TEL: (358)9 2745810	FAX: 9 2742715
France	: IWAKI France S.A.	TEL: (33)1 69 63 33 70	FAX: 1 64 49 92 73
Germany	: IWAKI Europe GmbH	TEL: (49)2154 9254 50	FAX: 2154 9254 55
Holland	: IWAKI Holland B.V.	TEL: (31)297 241121	FAX: 297 273902
Italy	: IWAKI Italia S.R.L.	TEL: (39)02 990 3931	FAX: 02 990 42888
Norway	: IWAKI Norge AS	TEL: (47)66 81 16 60	FAX: 66 81 16 61
Spain	: IWAKI Iberica Pumps, S.A.	TEL: (34)943 630030	FAX: 943 628799
Sweden	: IWAKI Sverige AB	TEL: (46)8 511 72900	FAX: 8 511 72922
Switzerland	: IWAKI (Schweiz) AG	TEL: (41)26 674 93 00	FAX: 26 674 93 02
U.K.	: IWAKI Pumps (UK) Ltd.	TEL: (44)1743 231363	FAX: 1743 366507
U.S.A.	: IWAKI America Inc.	TEL: (1)508 429 1440	FAX: 508 429 1386

### ASIA / OCEANIA

Australia	: IWAKI Pumps Australia Pty Ltd.	TEL: (61)2 9899 2411	FAX: 2 9899 2421
China			
Hong Kong	: IWAKI Pumps Co., Ltd.	TEL: (852)2607 1168	FAX: 2607 1000
Shanghai	: IWAKI Pumps (Shanghai) Co., Ltd.	TEL: (86)21 6272 7502	FAX: 21 6272 6929
Guangzhou	: GFTZ IWAKI Engineering & Trading Co., Ltd.	TEL: (86)20 8435 0603	FAX: 20 8435 9181
Beijing	: GFTZ Iwaki Engineering & Trading Co., Ltd. (Beijing office)	TEL: (86)10 6442 7713	FAX: 10 6442 7712
Korea	: IWAKI Korea Co., Ltd.	TEL: (82)2 2630 4800	FAX: 2 2630 4801
Malaysia	: IWAKI Sdn. Bhd.	TEL: (60)3 7803 8807	FAX: 3 7803 4800
Singapore	: IWAKI Singapore Pte Ltd.	TEL: (65)6316 2028	FAX: 6316 3221
Indonesia	: IWAKI Singapore (Indonesia Branch)	TEL: (62)21 6906606	FAX: 21 6906612
Taiwan	: IWAKI Pumps Taiwan Co., Ltd.	TEL: (886)2 8227 6900	FAX: 2 8227 6818
Thailand	: IWAKI (Thailand) Co., Ltd.	TEL: (66)2 322 2471	FAX: 2 322 2477
Vietnam	: IWAKI Pumps Vietnam Co., Ltd.	TEL: (84)613 933456	FAX: 613 933399

( )Country codes



Caution for safety use: Before use of pump, read instruction manual carefully to use the product correctly.  
Actual pumps may differ from the photos. Specifications and dimensions are subject to change without prior notice. For further details please contact us.